

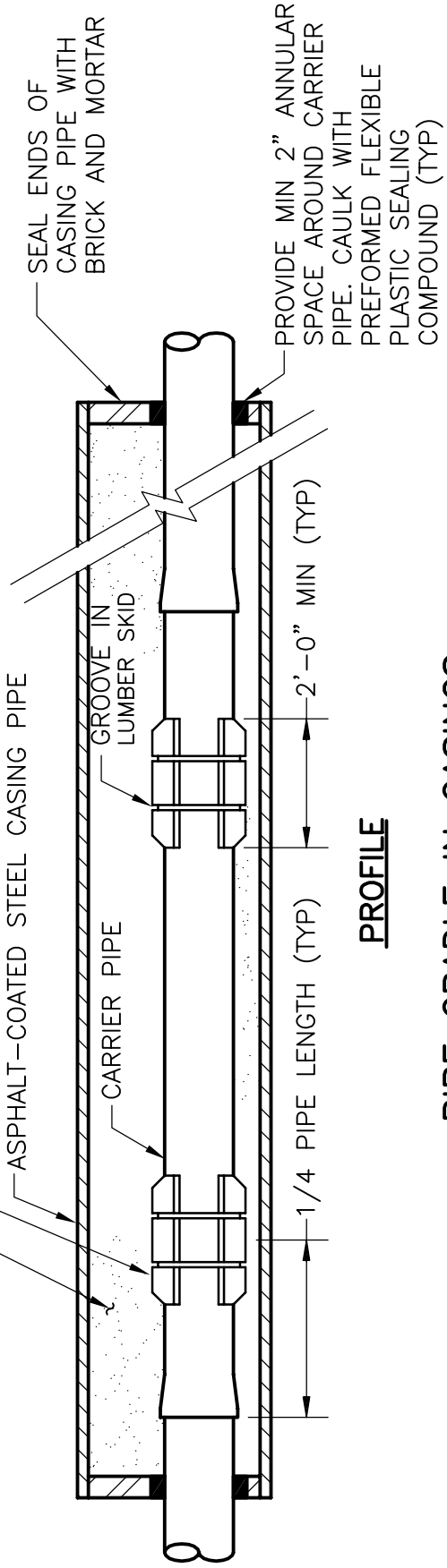
CROSS SECTION

- NOTES:
- FOR PIPES CROSSING STATE ROADS OR RAILROADS ADDITIONAL REQUIREMENTS (IF ANY) IMPOSED BY HIGHWAY OR RAILROAD OWNER MUST BE MET.
 - DIAMETER OF CASING SHALL BE IN ACCORDANCE WITH HIGHWAY OR RAILROAD OWNER'S STANDARDS.

FILL VOID BETWEEN CARRIER PIPE AND CASING WITH CLEAN NATURAL SAND OR 1/4" (NO FINES) STONE CHIPS

CRADLE (2 PER LENGTH OF PIPE MIN)

ASPHALT-COATED STEEL CASING PIPE



PROFILE

PIPE CRADLE IN CASINGS

