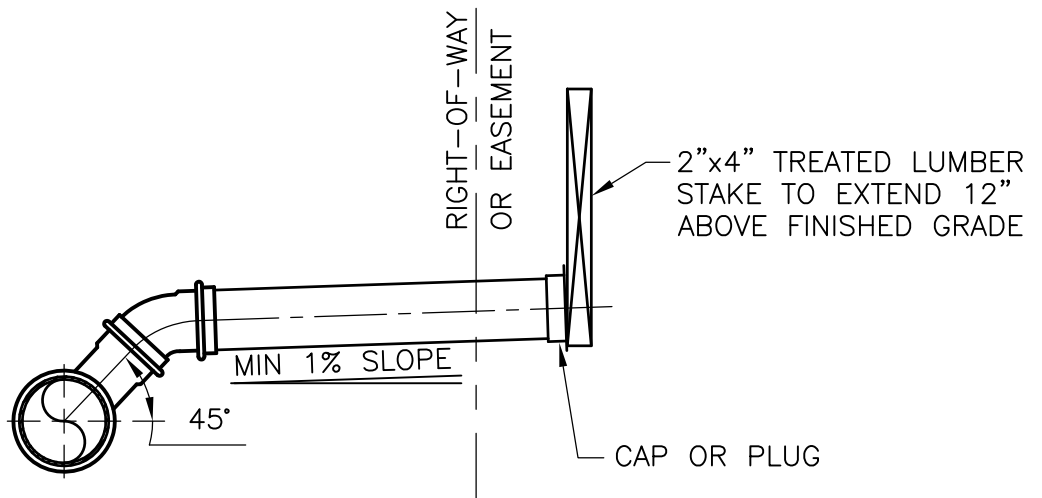


NOTE:
 LATERAL TO EXTEND 12" BEYOND RIGHT-OF-WAY, CURB OR SIDEWALK, OR AS APPROVED BY ENGINEER

PLAN



SECTION

**LATERAL CONNECTION
 DETAIL**

NO SCALE

