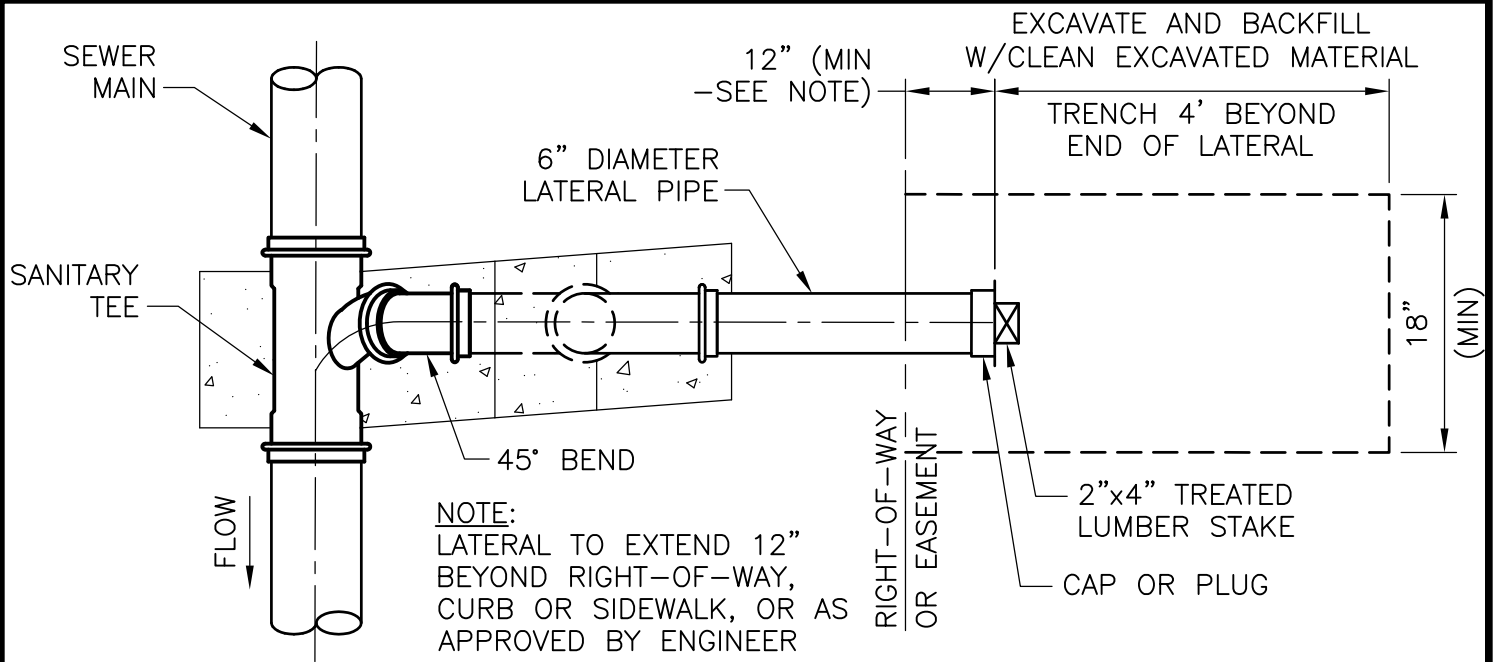
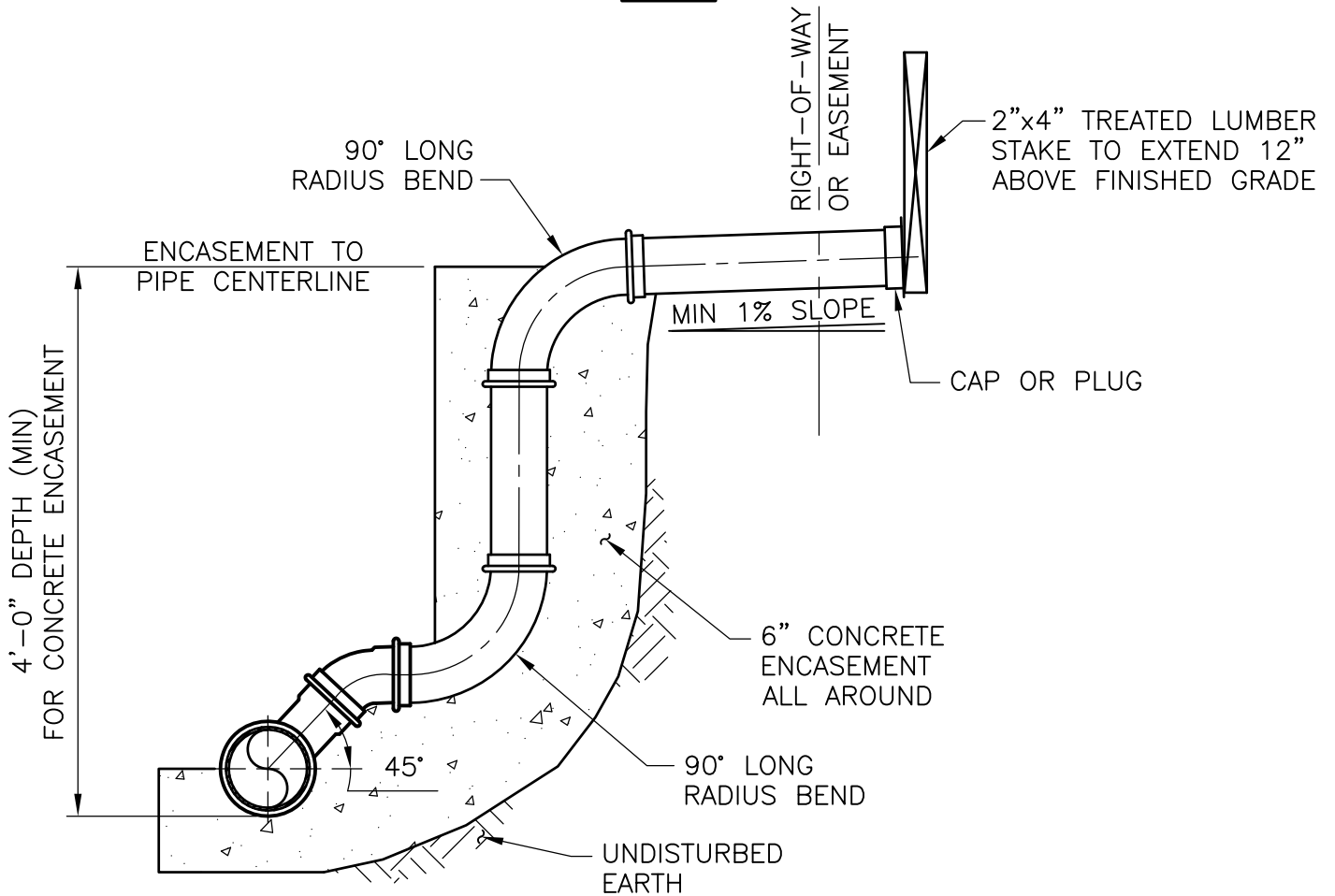


S:\5263\DETL\ DET-7 03/10/14 13:36 robinsonjd



PLAN



SECTION

LATERAL CONNECTION RISER WITH CONCRETE ENCASEMENT

DETAIL

NO SCALE

