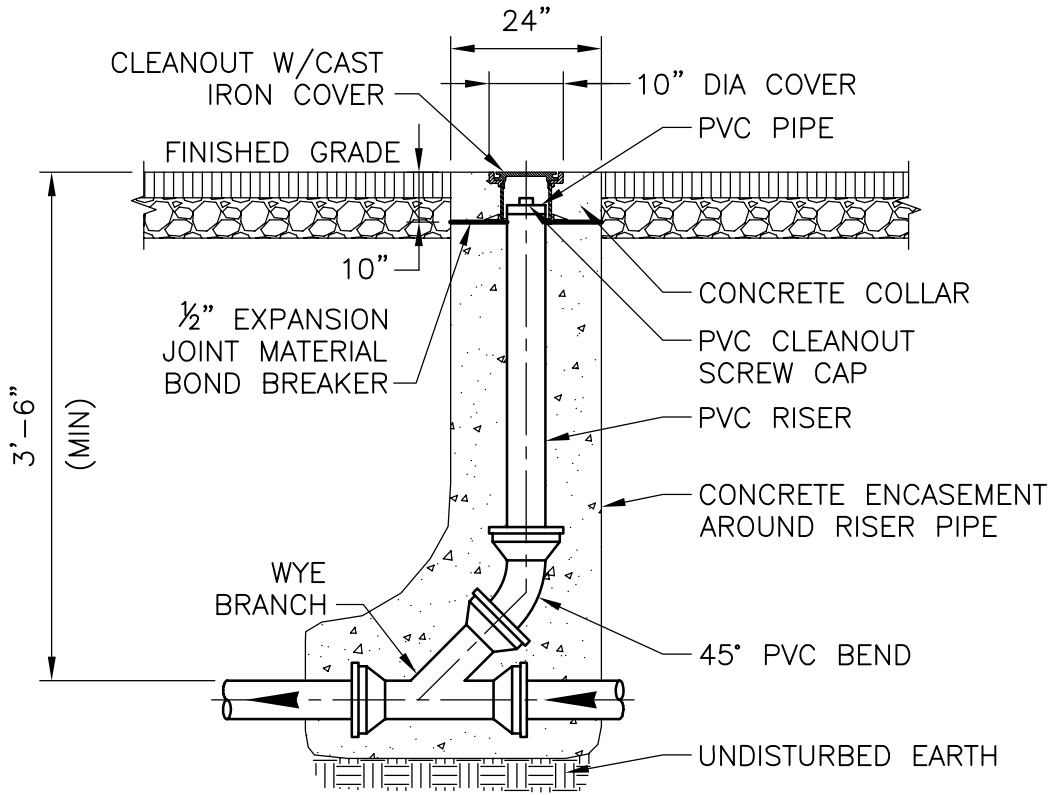


**CLEANOUT IN NON-PAVED AREAS**

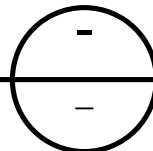


**CLEANOUT IN PAVED AREAS**

**NOTE:** STANDARD LATERAL OR SERVICE LINE CLEANOUT  
 THIS DETAIL APPLIES TO RESIDENTIAL APPLICATIONS ONLY; FOR NON-RESIDENTIAL APPLICATIONS, CLEANOUT CONSTRUCTION SHALL BE AS APPROVED BY ENGINEER.

**DETAIL**

NO SCALE



S:\5263\DETL\ DET-9 09/21/07 11:39 millercs