

EXIST CONNECTION TO SEPTIC TANK OR NEW CONNECTION

CLEANOUT W/ SCREW CAP

5 FT CAST IRON OR STEEL SLEEVE REQ'D. MORTAR SLEEVE ENDS AND WALL PENETRATION

4"x6" FLEXIBLE COUPLING

FOUNDATION WALL

4" ABOVE FINISHED GRADE

VENT

50 FT (MAX) BETWEEN CLEANOUTS

CLEANOUT W/ SCREW CAP (TYP - SEE NOTE)

4" SERVICE LINE

MIN 2% SLOPE

TRAP (MAX 1 FT DROP)

MIN 4" TEST WYE

6"x4" REDUCER

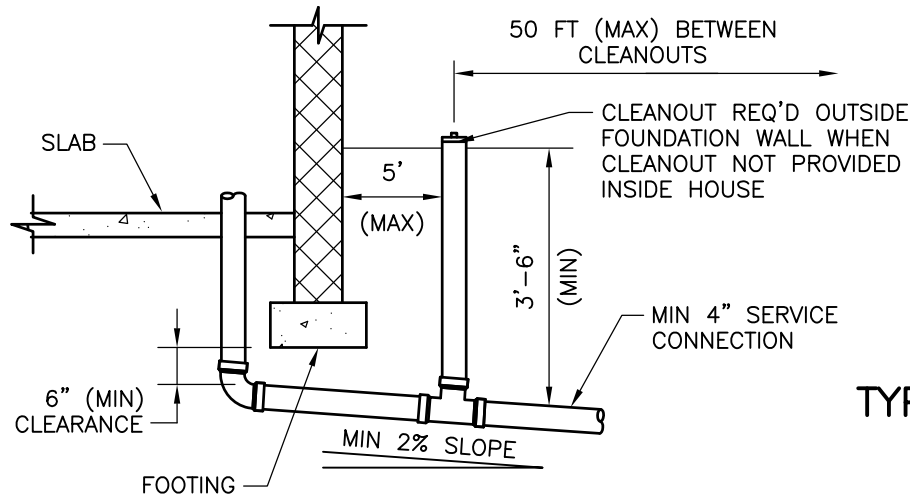
SANITARY TEE OR SADDLE CONNECTOR

GRAVITY SANITARY SEWER MAIN

STREET

RIGHT-OF-WAY

AIR TEST GRAVITY SERVICE LINE AT 5 PSI FOR 5 MINUTES



50 FT (MAX) BETWEEN CLEANOUTS

CLEANOUT REQ'D OUTSIDE FOUNDATION WALL WHEN CLEANOUT NOT PROVIDED INSIDE HOUSE

3'-6" (MIN)

MIN 4" SERVICE CONNECTION

MIN 2% SLOPE

FOOTING

6" (MIN) CLEARANCE

5' (MAX)

SLAB

NOTES:

1. LATERAL IS SHOWN PER TYPICAL CONSTRUCTION. LATERAL TERMINATION POINT MAY VARY ONLY IF APPROVED BY ENGINEER.
2. CLEANOUT COVER SHALL BE PVC IN UNPAVED AREAS AND CAST IRON IN PAVED AREAS.

TYPICAL GRAVITY SERVICE LINE

DETAIL

NO SCALE

