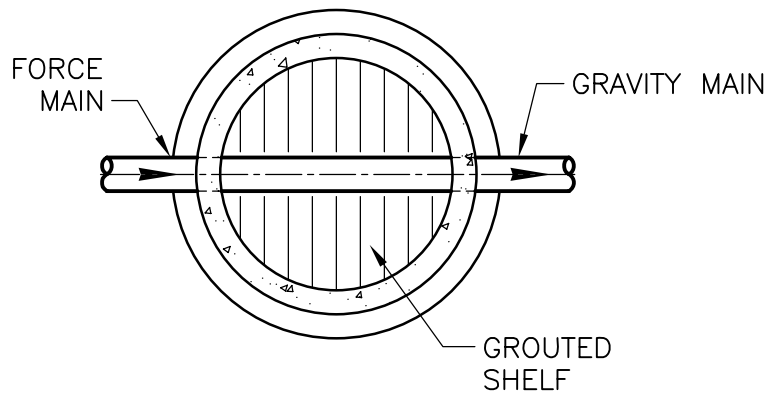


SECTION

NOTE:

AT A MINIMUM, SET FORCE MAIN INVERT EQUAL TO GRAVITY MAIN CROWN ELEVATION; FORCE MAIN INVERT SHALL NOT BE SET HIGHER THAN 2'-0" ABOVE GRAVITY LINE INVERT.



PLAN

NOTES:

1. A PVC OR HDPE INTERIOR LINING SHALL BE PROVIDED ON ALL PROPOSED MANHOLES THAT WILL HAVE A FORCE MAIN CONNECTION.
2. EXISTING MANHOLES TO RECEIVE A FORCE MAIN CONNECTION SHALL BE COATED WITH A CORROSION RESISTANT MATERIAL AS APPROVED BY THE ENGINEER.
3. DEPENDING UPON THE CONDITION OF AN EXISTING MANHOLE TO RECEIVE A FORCE MAIN CONNECTION, THE MANHOLE MAY NEED TO BE REPLACED AT THE DISCRETION OF THE ENGINEER.

FORCE MAIN CONNECTION TO MANHOLE

DETAIL

NO SCALE

